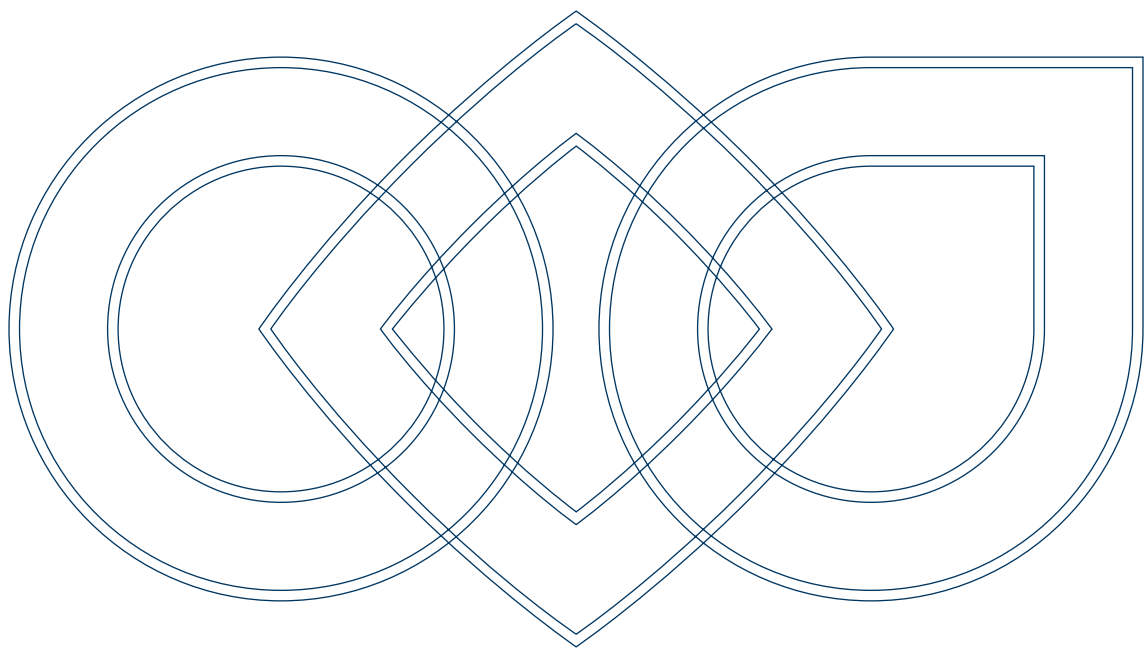




Solutions for **Agriculture**
and **Forest machinery**



SECTOR



Solutions for **agriculture** and **forest machinery**

With more than 40 years of experience alongside major players on the market, Bonfiglioli is able to create, design and produce tailored-made drives for a wide range of applications in the agricultural sector, such as sprayers, harvesters, feed mixers and forestry machines.

Through innovation, reliability, efficiency, cost-optimization and flexibility, Bonfiglioli experts help you to meet your customers' needs and requirements.

Our range of products includes solutions such as:

- Wheel drives for sprayers, windrowers, combine harvesters, sugar cane harvesters, grapes harvesters and feed mixers.
- Track drives for forestry machines and sugar cane harvesters.
- Slew drives for forestry machines and vertical mixer feeds.

Bonfiglioli offers a wide range of products perfectly tailored to meet a broad variety of drive specifications:

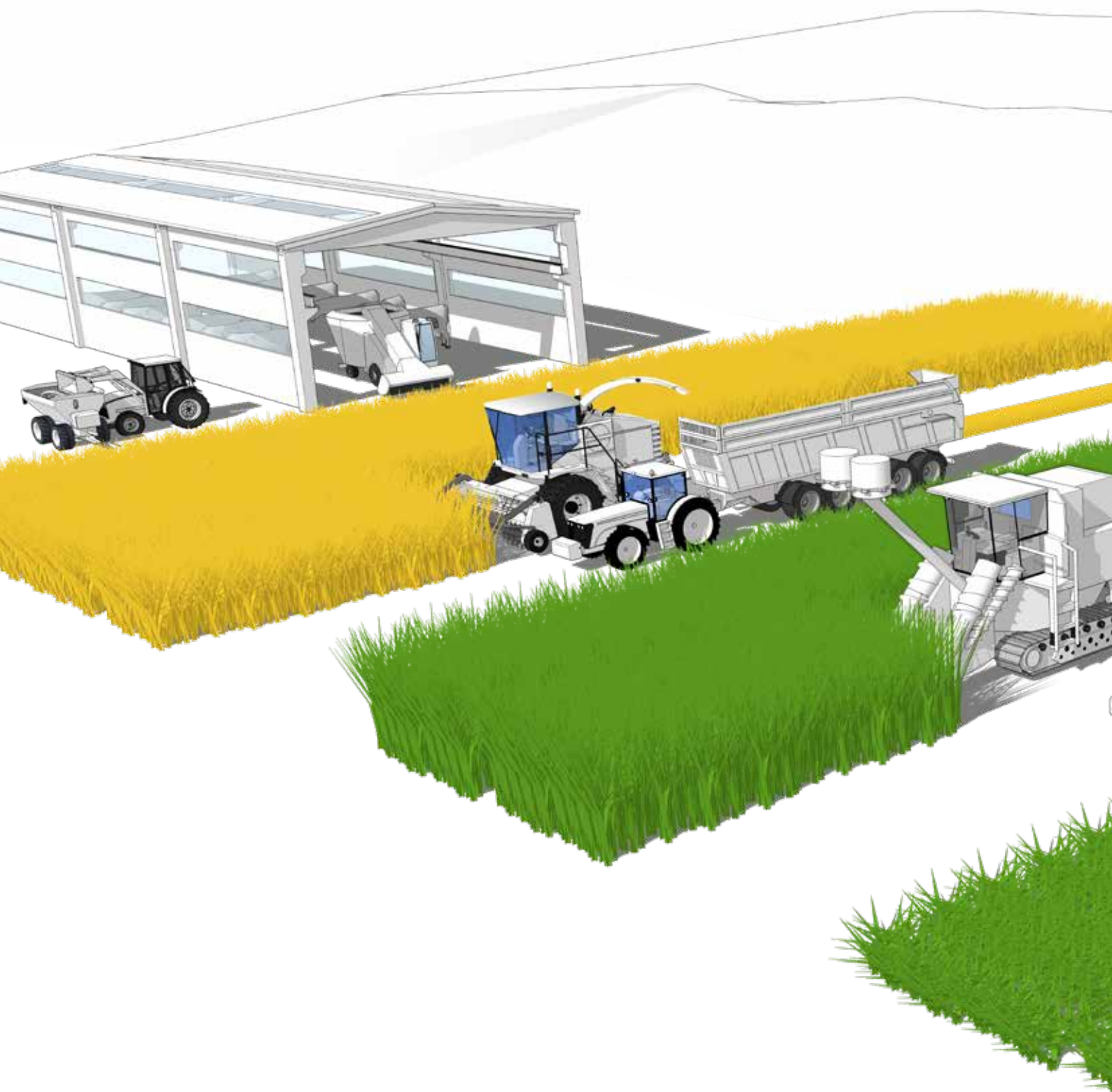
- Wide range of reduction ratios.
- Wheel drives unit, complete with negative multidisc brakes in two versions:
 - Static, for parking only
 - Dynamic, for parking and emergency braking, operated directly by brake pedal.

The vast range of customised solutions and extensive expertise in the industry, make Bonfiglioli the ideal partner for all manufacturers of agricultural and forestry machinery.



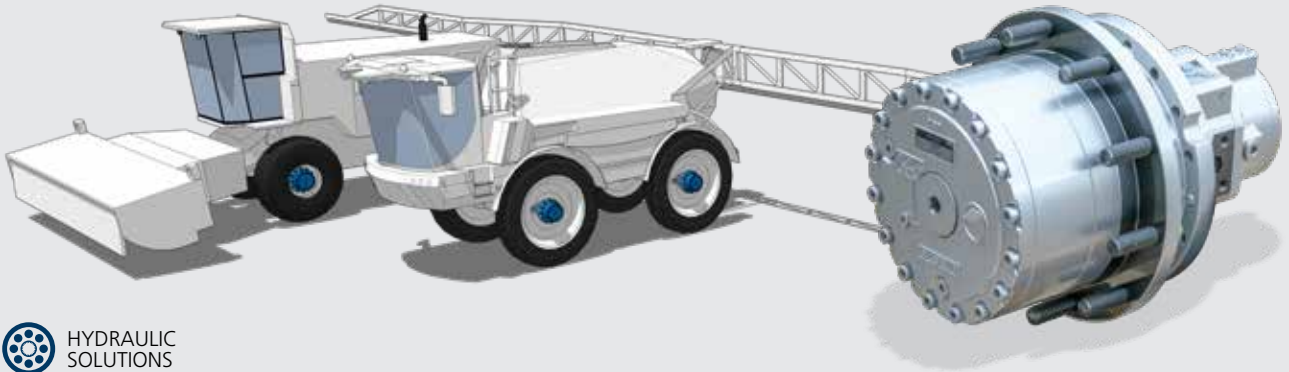
Bonfiglioli Agricultural

Drives for agricultural and forest machinery





Wheel drives for self-propelled sprayers, windrowers and mowers conditioners.



600 series Wheel drives

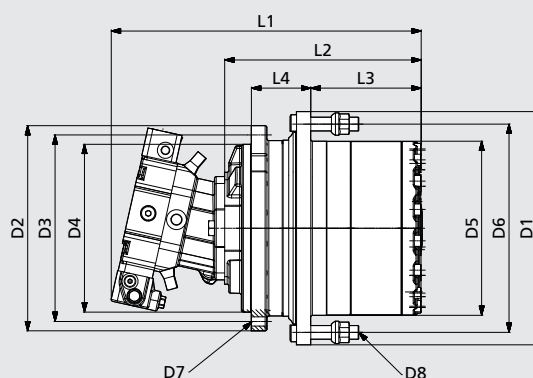
Thanks to the reliable 600 series dedicated to wheeled self-propelled sprayers, windrowers and mowers conditioners, Bonfiglioli offers the best drive system options possible to machine manufacturers.

High performance, including high torque capabilities in a compact space specifically regarding limited axial dimensions, is one of our portfolio's key benefits. Drives are aligned with international regulations, thanks to the emergency brake system in case of hydraulic system failure.

Type	Output torque (Nm)
606 W2..B	12000
606 W2..H	17000
607 W2..B	22000
609 W2..B	30000
610 W..V	40000
610 X	45000

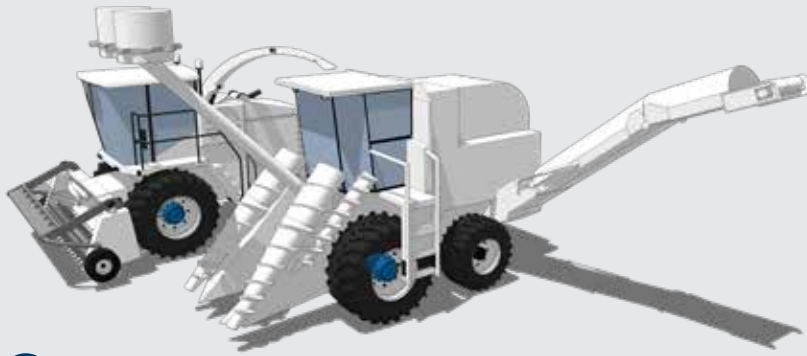


TYPE	RANGE OF RATIOS	MAX. INPUT SPEED	HYDRAULIC MOTOR DRIVE	MOTOR DISPLACEMENT	BRAKING TORQUE	MIN. OPENING PRESSURE	WEIGHT	MACHINE WEIGHT
	1:	min ⁻¹		cc/rev	Nm	bar	kg	tons
606 W2..B	26-32	4000	Axial piston motor Variable displacement	45 - 60	300 ÷ 800	15 - 20	90	up to 12
606 W2..H	19.7-23.5-26.3-30.1-35.5	4000		46 - 80	300 ÷ 800	15 - 20	110	up to 14
607 W2..B	26.7-31.8	4000		60 - 80	300 ÷ 800	15 - 20	140	14 ÷ 16
609 W2..B	22.1-26.6-31.8	4000		80 - 110	800 ÷ 800	15 - 20	170	16 ÷ 19
610 W..V	55 ÷ 166	4000		80 - 160	300 - 800	15 - 20	200	22 ÷ 28
610 X	22.5 ÷ 51.4	4000		107 - 160	800 - 1200	15 - 20	200	25 ÷ 35



TYPE	D1	D2	D3	D4	D5	D6	D7	D8	L1	L2	L3	L4
606 W2..B	370	310	275	240	280	335	M16x2 no.12	M20x1.5 no.10	Based motor type	260	156	75
606 W2..H	370	330	300	270	280	335	M16x2 no.18	M22x1.5 no.10		330	200	115
607 W2..B	400	317	285	240	300	355	M20x2.5 no.20	M18x1.5 no.20		335	233	82
609 W2..B	435	375	340	300	350	400	M20x2.5 no.16	M22x1.5 no.16		350	243	91
610 W..V	435	375	340	300	350	400	M20x2.5 no.16	M22x1.5 no.16		350	243	91
610 X	440	410	370	330	360	400	M20x2.5 no.20	M20x2.5 no.16		383	268	90

Wheel drives for harvester.



600 series Wheel drives

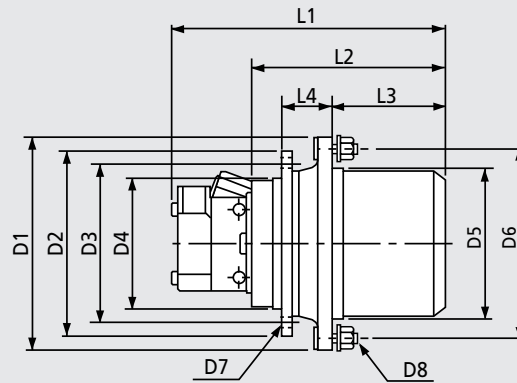
Thanks to reliable series of products dedicated to wheeled harvesters, Bonfiglioli offers the best drive system options possible to machine manufacturers.

High performance, including high torque capabilities in a compact space specifically regarding limited axial dimensions, is one of our portfolio's key benefits. Drives are aligned with international regulations, thanks to the emergency brake system in case of hydraulic system failure.

Type	Output torque (Nm)
605 W..V..	10000
606 W..V	17000
607 W..V	22000
609 W..V	30000
610 W..V	36000
610 X	40000
611 W..V	45000

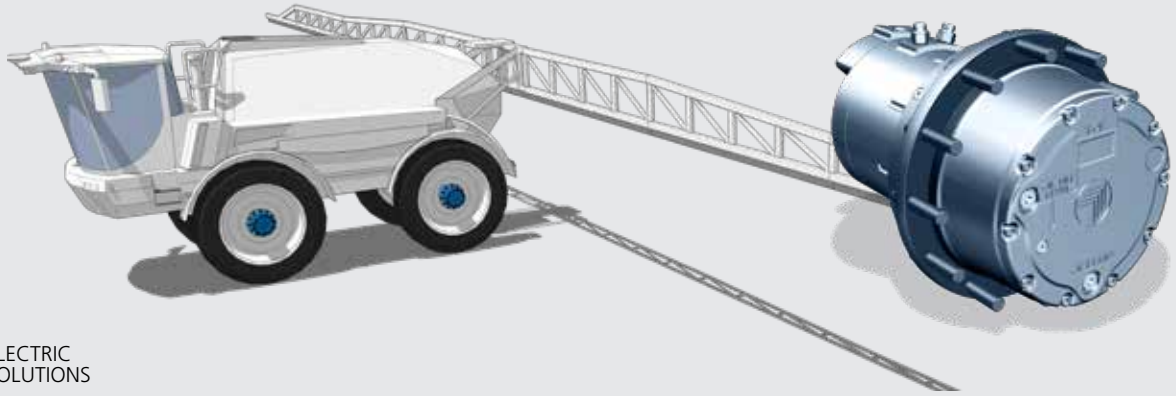


TYPE	RANGE OF RATIOS	MAX. INPUT SPEED	HYDRAULIC MOTOR DRIVE	MOTOR DISPLACEMENT	BRAKING TORQUE	MIN. OPENING PRESSURE	WEIGHT	MACHINE WEIGHT
	1:	min ⁻¹		cc/rev	Nm	bar	kg	tons
605 W..V.	22 ÷ 53	3500	Axial piston motor Variable displacement	46 - 60	220 - 310	10 - 20	70	5 ÷ 8
606 W..V	20 ÷ 128	4000		46 - 80	300 - 800	15 - 20	110	8 ÷ 14
607 W..V	26 ÷ 154	4000		60 - 80	300 - 800	15 - 20	140	14 ÷ 18
609 W..V	22 ÷ 147	4000		80 - 110	300 - 800	15 - 20	170	18 ÷ 22
610 W..V	55 ÷ 166	4000		80 - 160	300 - 800	15 - 20	200	22 ÷ 28
610 X	22.5 ÷ 51.4	4000		107 - 160	800 - 1200	15 - 20	200	25 ÷ 35
611 W..V	41 ÷ 163	4000		107 - 160	800 - 1200	15 - 20	250	30 ÷ 40



TYPE	D1	D2	D3	D4	D5	D6	D7	D8	L1	L2	L3	L4
605 W..V.	310	270	230	190	220	275	M16x2 no.12	M20x1.5 no.8	Based motor type	260	158	72
606 W..V	370	330	300	270	280	335	M16x2 no.18	M22x1.5 no.10		330	200	115
607 W..V	400	317	285	240	300	355	M20x2.5 no.20	M18x1.5 no.20		335	233	82
609 W..V	435	375	340	300	350	400	M20x2.5 no.16	M22x1.5 no.16		350	243	91
610 W..V	435	375	340	300	350	400	M20x2.5 no.16	M22x1.5 no.16		350	243	91
610 X	440	410	370	330	360	400	M20x2.5 no.20	M20x2.5 no.16		383	268	90
611 W..V	490	425	325	290	410	455	M20x2.5 no.24	M20x1.5 no.24		375	242	110

Electric powertrains for off-highway hybrid machinery.



600W with BPD[®] electric motor

Wheel drives

Bonfiglioli's 600W planetary wheel drives can be coupled to a high-power density electric motor, instead of a conventional hydraulic motor.

This complete mechatronic solution is designed for a high voltage hybrid powertrain system and was originally conceived for self-propelled crop sprayers.

Using this solution can deliver many advantages, and it assures interesting benefits both to the machine manufacturer and to the end user.

Type	Output torque (Nm)
605 W..V..	10000
606 W..V	17000
607 W..V	22000
609 W..V	30000
610 W..V	36000
610 X	40000
611 W..V	45000



Applications

- Sprayers
- Self-propelled harvesters

Advantages for OEM

- Possibility of downsizing and downspeeding combustion engines
- Ease of installation: electric solution dimensions comparable to standard hydrostatics
- Higher system reliability: fewer mechanical parts
- Virtually maintenance-free electric motors
- From wheel bolt to electric wire with only one supplier

Advantages for final user

- Reduction of fuel consumption
- Increase of productivity
- Better machine manoeuvrability
- The electric solution is cleaner: lower risk of oil spills



Motor data

Technology

BPD® Hairpin Stator Winding

DC bus operating voltage

400 - 700 V_{DC}

Max power output

25 - 85 kW

Max torque output

200 - 400 Nm

Max operating speed

8000 rpm

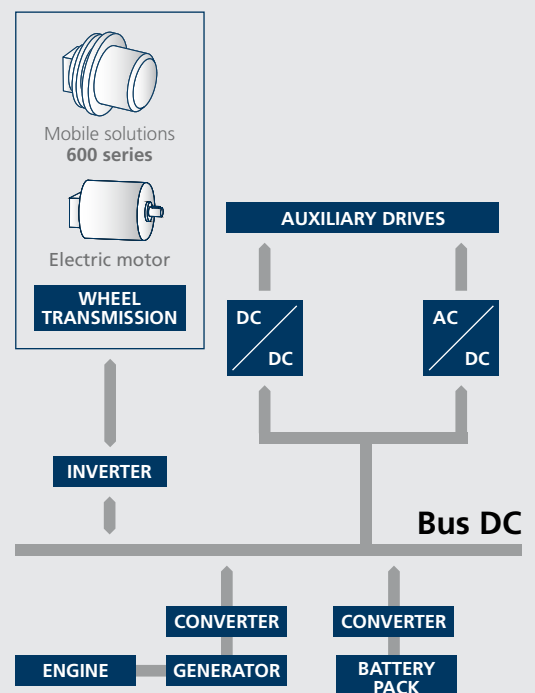
Max efficiency

95.6%

Cooling

PGW 50/50 or oil

Functional diagram



Wheel Drives with Integrated Service and Parking brakes.

600 series

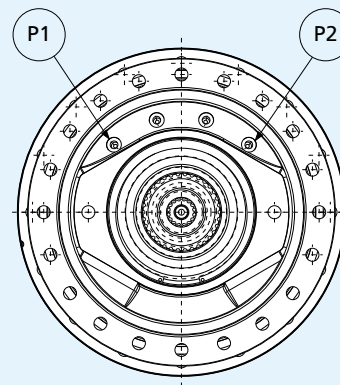
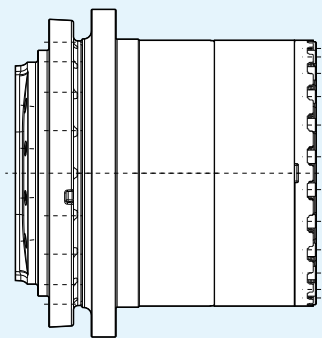
Wheel drives with integrated service and parking brakes

Typical applications

- Self-propelled sprayers
- Combine harvesters
- Potato, Carrot harvesters
- Forage harvesters

Features

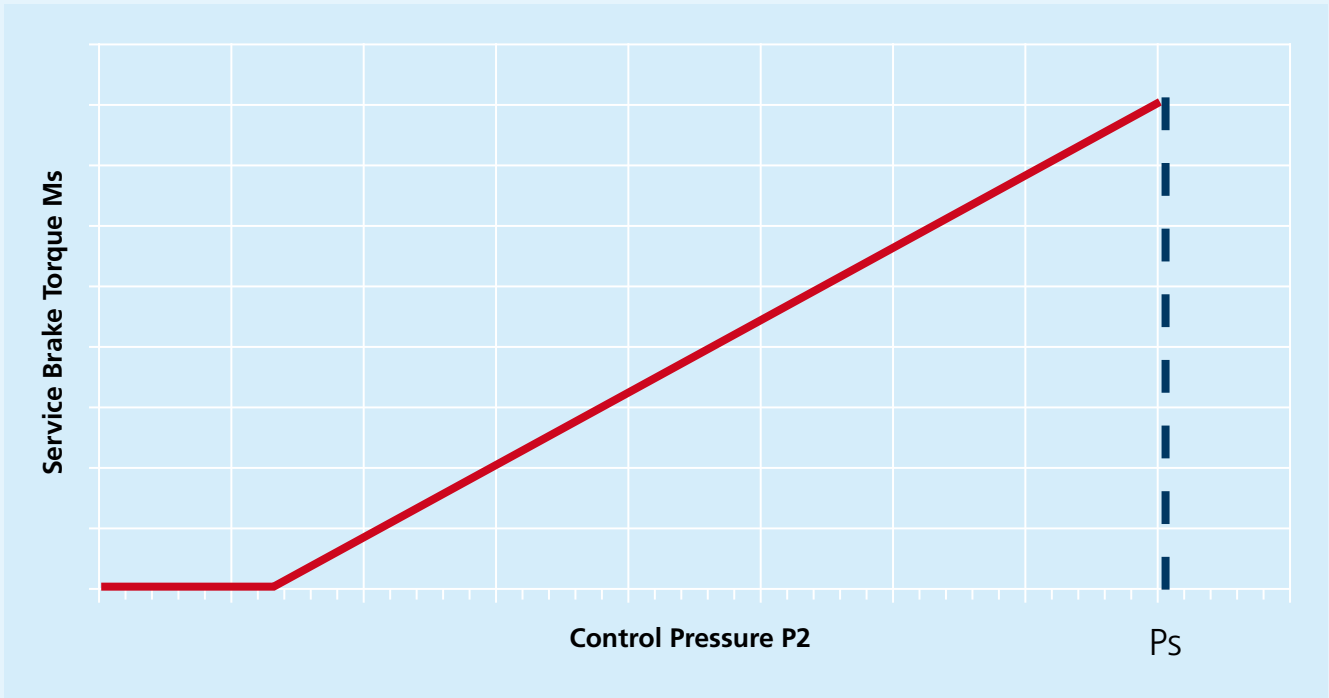
- Compact and modular design
- Compliant with international regulations for service, emergency and parking braking
- Improved modularity of service brake actuation
- Integrated oil immersed brake disc package
- Dedicated piston return system for optimized thermal performance (patent pending)
- Heavy duty discs to maximize thermal capacity for best energy dissipation, even under extreme conditions



P1: static brake port
P2: service brake port

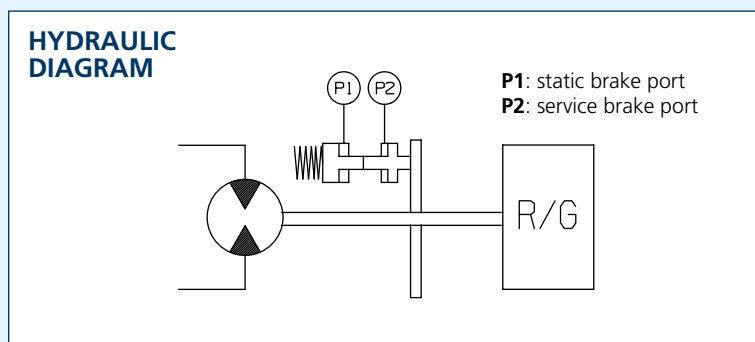
ACTION	P1 PORT	P2 PORT
Parking brake engaged	Not pressurized	Not pressurized
Travel	Pressurized	Not pressurized
Service braking	Pressurized	Pressurized (to modulate the braking torque)

Service Brake Performance

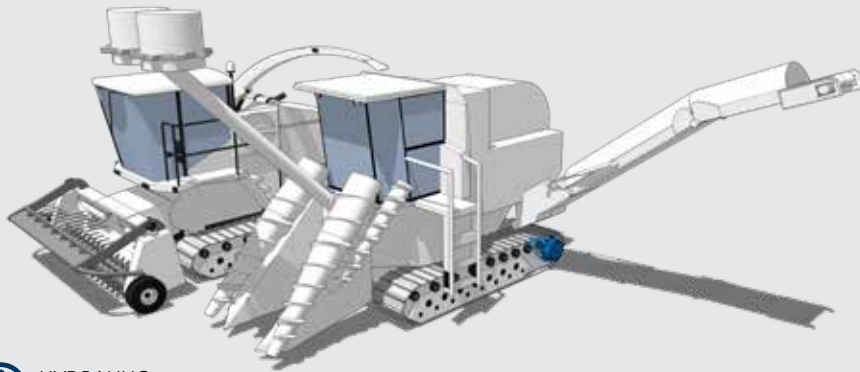


GEARBOX MODEL	SERVICE BRAKE		PARKING BRAKE	
	Max torque (Ms) Nm	Max operating pressure (Ps) bar	Max torque (Mp) Nm	Min release pressure (Pr) bar
605 W2	300	60	310	20
606 W2	350	90	650	20
607 W2	350	90	650	20
609 W2	450	90	800	20
610 X2	650	90	1200	20
611 W2	650	90	1200	20

The above data are for reference only. To be verified based on actual machine data.



Track drives for sugar cane and rice harvester.



700C Series

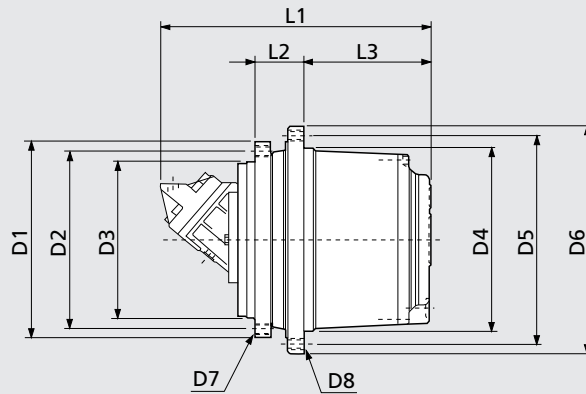
Travel drives

Bonfiglioli compact 700 series adapts perfectly to demanding applications, such as rice or sugar harvesters. These reliable solutions are available in a wide range of sizes, with parking brakes for most fixed and variable cartridge types.

Type	Torque (Nm)
705 C.. H	10000
706 C3 B	18000
707 C3 B	26000
709 C3 B	30000
710 C3 B	36000
711 C3 B	45000
713 C3 B	60000

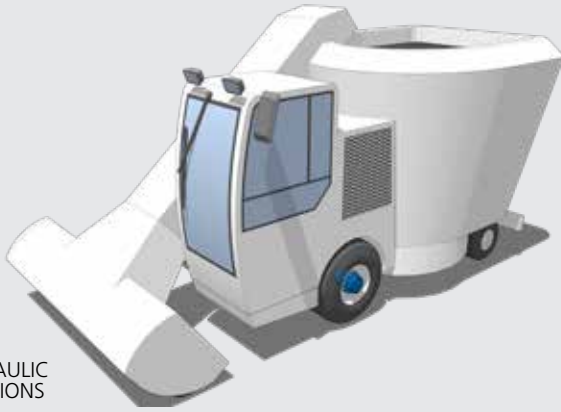


TYPE	RANGE OF RATIOS	MAX. INPUT SPEED	HYDRAULIC MOTOR DRIVE	MOTOR DISPLACEMENT	BRAKING TORQUE	MIN. OPENING PRESSURE	WEIGHT	MACHINE WEIGHT
	1:	min ⁻¹		cc/rev	Nm	bar	kg	tons
705 C1 H	5.33	1000	Orbital motors	160 ÷ 250	250 - 500	10 - 20	80	5
705 C2 H	22 ÷ 53	4000	Axial piston motor Variable displacement	28 ÷ 60	250 - 500	10 - 20	60	5 ÷ 7
706 C3 B	68 ÷ 173	4000		28 ÷ 80	250 - 500	10 - 20	95	7 ÷ 13
707 C3 B	55 ÷ 120	4000		28 ÷ 80	250 - 500	10 - 20	135	13 ÷ 16
709 C3 B	55 ÷ 147	4000		45 ÷ 160	250 - 600	10 - 20	180	16 ÷ 22
710 C3 B	55 ÷ 166	4000		60 ÷ 160	250 - 600	10 - 20	200	22 ÷ 28
711 C3 B	71 ÷ 163	4000		60 ÷ 160	400 - 800	10 - 20	270	28 ÷ 35
713 C3 B	56 ÷ 147	3500		60 ÷ 160	400 - 800	10 - 20	310	35 ÷ 45



TYPE	D1	D2	D3	D4	D5	D6	D7	D8	L1	L2	L3
705 C1 H	325	290	250	200	240	280	M16x2 no.10	M20x2.5 no.8	Based motor type	72	96
705 C2 H	270	230	190	220	260	300	M16x2 no.12	M16x2 no.16		72	158
706 C3 B	330	300	270	280	330	370	M16x2 no.18	M16x2 no.18		115	190
707 C3 B	317	285	240	300	340	370	M20x2.5 no.20	M16x2 no.20		82	233
709 C3 B	375	340	300	330	370	400	M20x2.5 no.16	M16x2 no.30		91	243
710 C3 B	375	340	300	350	400	435	M20x2.5 no.16	M20x2.5 no.16		91	243
711 C3 B	425	325	290	410	455	490	M20x2.5 no.24	M20x2.5 no.24		110	265
713 C3 B	425	325	290	410	455	490	M20x2.5 no.24	M20x2.5 no.24		110	280

Wheel drives for feed mixers.



600 series Wheel drives

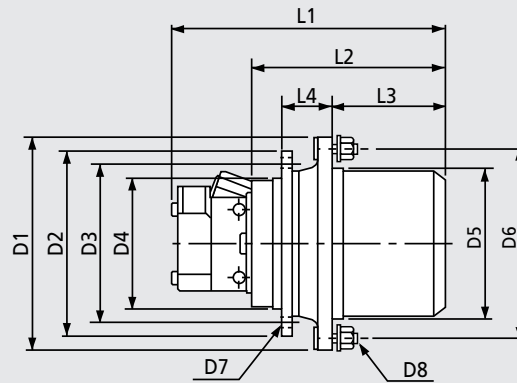
Thanks to its reliable 600 series dedicated to feed mixers, Bonfiglioli offers the best wheel drive system options possible to machine manufacturers.

High performance, including high torque capabilities in a compact space specifically regarding limited axial dimensions, is one of our portfolio's key benefits. Drives are aligned with international regulations, thanks to the emergency brake system in case of hydraulic system failure.

Type	Output torque (Nm)
603 W..V	5000
603 W..L	7000
605 W..V	10000
606 W..V	17000
607 W..V	22000
609 W..V	30000
610 W..V	36000
610 X	40000



TYPE	RANGE OF RATIOS	MAX. INPUT SPEED	HYDRAULIC MOTOR DRIVE	MOTOR DISPLACEMENT	BRAKING TORQUE	MIN. OPENING PRESSURE	WEIGHT	MACHINE WEIGHT
	1:	min ⁻¹		cc/rev	Nm	bar	kg	tons
603 W..V	19 ÷ 40	3500	Axial piston motor fixed or variable displacement	28 ÷ 45	210	18	45	up to 8
603 W..L	19 ÷ 40	3500		28 ÷ 45	210	18	45	up to 8
605 W..V	22 ÷ 53	3500		28 ÷ 60	220 - 310	10 - 20	70	8 ÷ 15
606 W..V	20 ÷ 128	4000		28 ÷ 80	300 - 800	15 - 20	110	15 ÷ 20
607 W..V	26 ÷ 154	4000		28 ÷ 80	300 - 800	15 - 20	140	20 ÷ 25
609 W..V	22 ÷ 147	4000		45 ÷ 160	300 - 800	15 - 20	170	25 ÷ 30
610 W..V	55 ÷ 166	4000		60 ÷ 160	300 - 800	15 - 20	200	30 ÷ 35
610 X	22.5 ÷ 51.4	4000		60 ÷ 160	800 - 1200	15 - 20	200	35 ÷ 40



TYPE	D1	D2	D3	D4	D5	D6	D7	D8	L1	L2	L3	L4
603 W..V	280	270	230	190	200	245	M16x2 no.8	M18x1.5 no.6	Based motor type	230	128	72
603 W..L	280	270	230	190	160	205	M16x2 no.8	M18x1.5 no.6		230	25	175
605 W..V	310	270	230	190	220	275	M16x2 no.12	M20x1.5 no.8		260	158	72
606 W..V	370	330	300	270	280	335	M16x2 no.18	M22x1.5 no.10		330	200	115
607 W..V	400	317	285	240	300	355	M20x2.5 no.20	M18x1.5 no.20		335	233	82
609 W..V	435	375	340	300	350	400	M20x2.5 no.16	M22x1.5 no.16		350	243	91
610 W..V	435	375	340	300	350	400	M20x2.5 no.16	M22x1.5 no.16		350	243	91
610 X	440	410	370	330	360	400	M20x2.5 no.20	M20x2.5 no.16		383	268	90

Solutions for feed mixers: Horizontal Milling Cutter Drives.



300 series Planetary drives

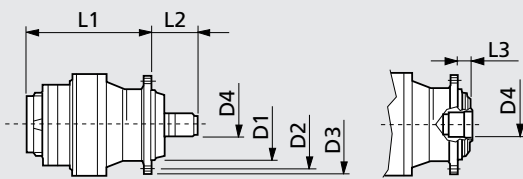
The 300 series is compact and powerful. Its planetary drive train makes them it ideal choice for all the severe duty applications where shock loadings and impacts are more the rule than the exception. The product configuration is highly versatile, due to several options concerning mounting, gear layout, output shaft and motor interface. All the features are available for each of the 20 finely-spaced frame sizes, spanning over the 1000 - 1100000 Nm torque range. Finding the perfect match to any drive problem is therefore more than a wish, it is something users can safely rely on - always.

Type	Output torque (Nm)
307	12500
309	18000
310	25000
311	40000
313	55000



TYPE	MAX POWER	MAX INPUT SPEED	RANGE OF RATIOS	DESIGN	MACHINE WEIGHT
	kW	rpm	1:		
307	100	2500	3.4 - 336	A	up to 4
309	130	2500	3.4 - 336	B	4 - 5
310	150	2000	4 - 350	B	5 - 6
311	180	2000	4 - 291	B	6 - 8
313	200	2000	4 - 304	B	8 - 10

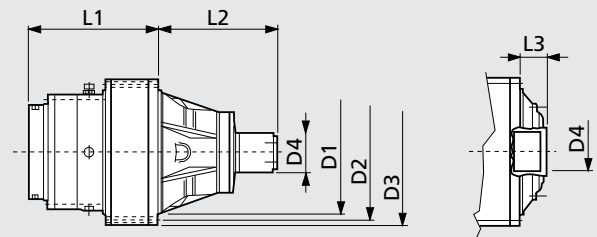
Design A 300 - 307



Output HZ

Output FZ

Design B 309 - 325

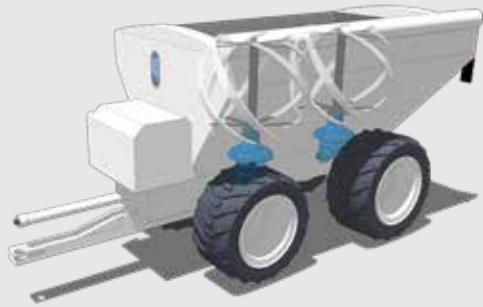


Output HZ

Output FZ

TYPE	D1	D2	D3	D4	L1 (2 stages)	L2	L3
307	230	295	325	80x74 DIN 5482	300	162	36
309	278	314	348	80x74 DIN 5482	215	231	82
310	340	370	400	100x94 DIN 5482	245	290	95
311	358	390	428	100x94 DIN 5482	250	320	88
313	385	415	445	120x3 DIN 5480	310	357	81

Solutions for feed mixers: Vertical Milling Cutter Drives.



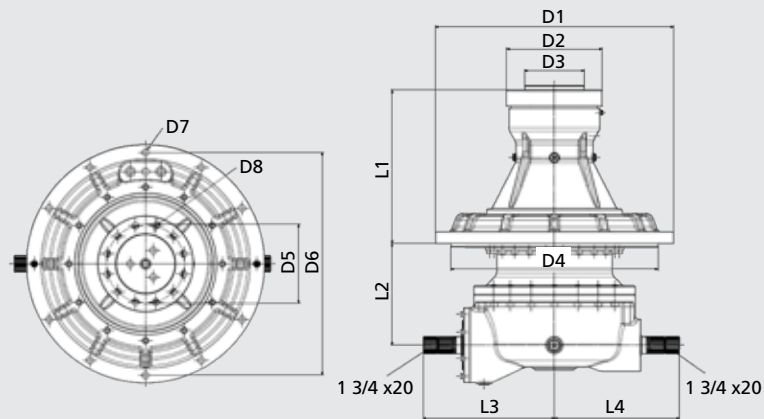
700T Series Cutter drives

With a reliable and optimized design, Bonfiglioli 700T Series for auger applications meets all feed mixers requirements. The different interfaces make this series very flexible. Two shafts for the in-line and multi-augers models are also two fundamental features.

Type	Torque (Nm)	
709 T2		16000
711 T2		21000

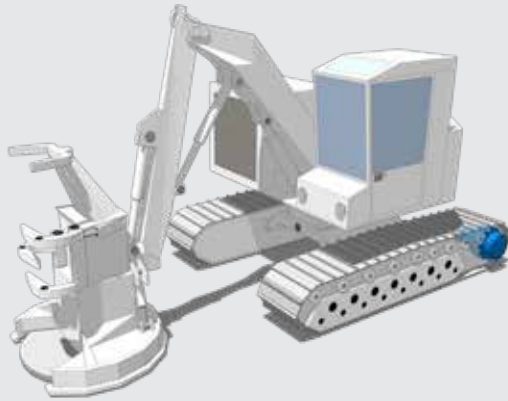


TYPE	NOMINAL OUTPUT TORQUE	MAX. OUTPUT TORQUE	MAX. INPUT SPEED	RANGE OF RATIOS	MACHINE WEIGHT
	Nm	Nm	rpm	1:	tons
709 T	16000	32000	540	15.4 - 18.2	up to 8
711 T	21000	42000	540	15.4 - 18.3	8 - 12



TYPE	D1	D2	D3	D4	D5	D6	D7	D8	L1	L2	L3	L4
709 T	620	250	154.8	540	205	580	D18 no.12	M20x1.5 no.12	399	285	342	346
711 T	620	250	154.8	540	205	580	D18 no.12	M20x1.5 no.12	399	305	342	346

Track drives for forestry machines.



700C Series

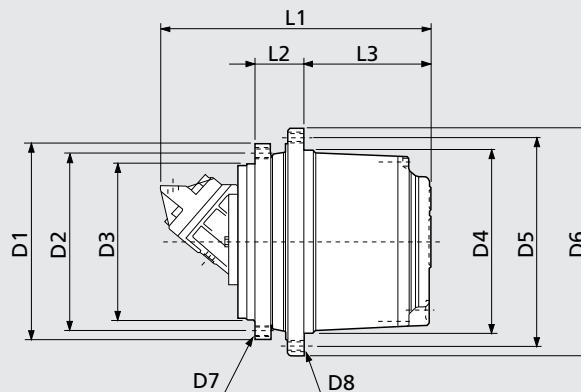
Track drives

Bonfiglioli 700C series dedicated to track drives offers the best compact and reliable solutions to forestry machines builders. Wide range of sizes available.

Type	Torque (Nm)
706 C3 B	18000
707 C3 B	26000
709 C3 B	30000
710 C3 B	36000
711 C3 B	45000
713 C3 B	60000
715 C3 B	85000
716 C3 B	100000
717 C3 H	130000
718 C3 H	180000

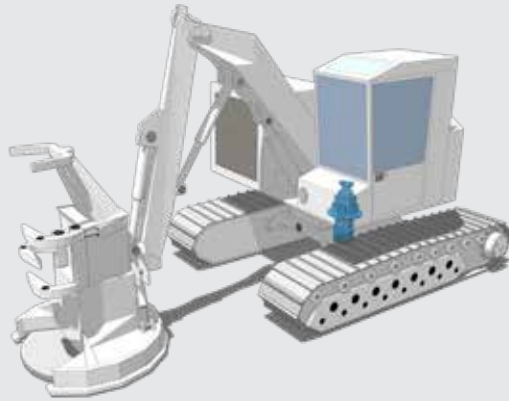


TYPE	RANGE OF RATIOS	MAX. INPUT SPEED	HYDRAULIC MOTOR DRIVE	MOTOR DISPLACEMENT	BRAKING TORQUE	MIN. OPENING PRESSURE	WEIGHT	MACHINE WEIGHT
	1:	min ⁻¹		cc/rev	Nm	bar	kg	Tons
706 C3 B	68-173	4000	Axial piston motor fixed or variable displacement	28 - 80	250 - 500	10 - 20	95	up to 10
707 C3 B	55-120	4000		28 - 80	250 - 500	10 - 20	135	10 - 14
709 C3 B	55-147	4000		28 - 80	250 - 800	10 - 20	180	14 - 16
710 C3 B	55-166	4000		28 - 80	250 - 800	10 - 20	200	16 - 18
711 C3 B	71-163	4000		45 - 160	400 - 800	10 - 20	270	18 - 22
713 C3 B	56-147	3500		60 - 160	400 - 800	10 - 20	310	22 - 28
715 C3 B	62-156	3500		60 - 160	600 - 1000	10 - 20	350	28 - 35
716 C3 B	83-174	3500		60 - 160	800 - 1200	10 - 20	400	35 - 40
717 C3 H	92-211	3500		80 - 200	800 - 1200	10 - 20	630	40 - 45
718 C3 H	87-263	3500		80 - 250	800 - 1200	10 - 20	750	over 45



TYPE	D1	D2	D3	D4	D5	D6	D7	D8	L1	L2	L3
706 C3 B	330	300	270	280	330	370	M16x2 no.18	M16x2 no.18	Based motor type	115	190
707 C3 B	317	285	240	300	340	370	M20x2.5 no.20	M16x2 no.20		82	233
709 C3 B	375	340	300	330	370	400	M20x2.5 no.16	M16x2 no.30		91	243
710 C3 B	375	340	300	350	400	435	M20x2.5 no.16	M20x2.5 no.16		91	243
711 C3 B	425	325	290	410	455	490	M20x2.5 no.24	M20x2.5 no.24		110	265
713 C3 B	425	325	290	410	455	490	M20x2.5 no.24	M20x2.5 no.24		110	280
715 C3 B	500	460	420	460	510	550	M20x2.5 no.24	M20x2.5 no.24		130	315
716 C3 B	500	460	420	460	500	550	M24x3 no.24	M18x1.5 no.36		165	308
717 C3 H	570	510	450	560	610	660	M30x3.5 no.20	M24x3 no.24		170	350
718 C3 H	570	510	450	576	626	670	M24x3 no.30	M24x3 no.20		170	350

Slew drives for forestry machines.



700T Series

Slew drives

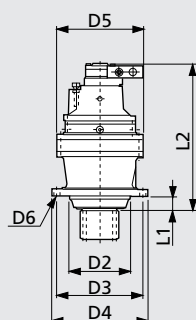
Bonfiglioli 700T Series dedicated to forestry machines is the most efficient solution available on the market today. Highly appreciated by all leading manufacturers, the range of products is strong from years of tests on the field.

Type	Torque (Nm)
705 T2	5000
706 T2	7500
707 T2	9000
709 T2	12000
710 T2	18000
711 T2	20000
712 T3	30000
713 T3	40000

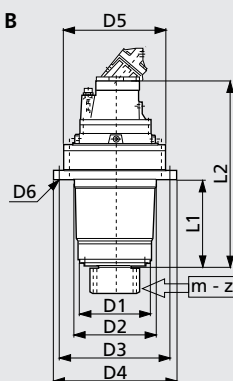


TYPE	RANGE OF RATIOS	MAX. INPUT SPEED	HYDRAULIC MOTOR DRIVE	MOTOR DISPLACEMENT	BRAKING TORQUE	MIN. OPENING PRESSURE	WEIGHT	DESIGN	MACHINE WEIGHT
	1:	min ⁻¹		cc/rev	Nm	bar	kg		
705 T2 F	12-44	3500	Axial piston motor fixed or variable displacement	28 - 80	50 - 400	ott-30	55	A	Up to 10
705 T2 L	12-44	3500		28 - 80	50 - 400	ott-30	80	B	
706 T2 N	15-46	3500		28 - 80	400 - 1000	20 - 30	95	B	14-16
707 T2 N	17-47	3500		28 - 80	400 - 1000	20 - 30	140	B	16-18
709 T2 N	17-47	3500		45 - 110	400 - 1000	20 - 30	165	B	18-22
710 T2 N	19-38	3500		45 - 110	400 - 1000	20 - 30	250	B	22-28
711 T2 C	14-39	3500		60 - 160	400 - 1000	20 - 30	300	B	28-35
711 T2 F	14-39	3500		60 - 160	400 - 1000	20 - 30	160	A	
712 T3 F	80-200	3500		60 - 200	400 - 1000	20 - 30	450	A	35-40
712 T3 N	80-200	3500		60 - 200	400 - 1000	20 - 30	450	B	
713 T3 N	50-300	3500		60 - 200	400 - 1000	20 - 30	500	B	Over 40

Design A



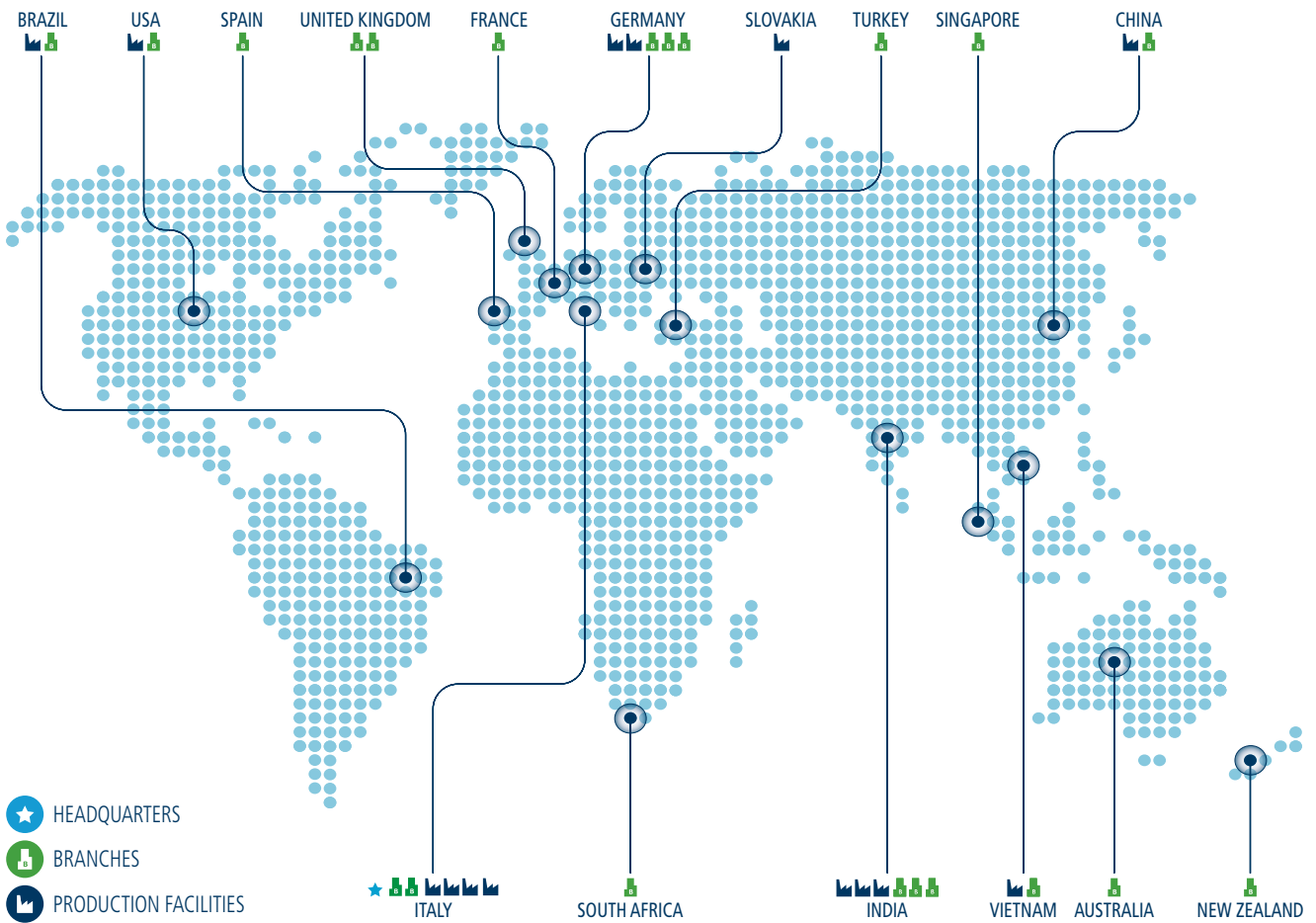
Design B



TYPE	D1	D2	D3	D4	D5	D6	L1	L2	m	z
705 T2 F	-	175	245	272	245	18	41	440	Pinion module / number of teeth UPON REQUEST	
705 T2 L	180	195	245	290	245	13	171	470		
706 T2 N	200	250	325	360	292	17	225	560		
707 T2 N	230	280	314	348	345	17	295	670		
709 T2 N	250	280	380	420	345	17	295	720		
710 T2 N	300	425	460	500	400	22	360	730		
711 T2 C	300	425	460	500	428	22	345	735		
711 T2 F	500	320	500	560	425	22	70	750		
712 T3 F	-	410	450	490	420	ø21 no.24	120	900		
712 T3 N	400	425	470	510	420	ø20 no.30	350	900		
713 T3 N	340	400	510	560	445	22	420	1030		

Bonfiglioli worldwide presence

Bonfiglioli is located in regions and countries around the world that enable us to provide faster sales and service to customers.
We are around the world, and around the corner.



LOCAL SUPPORT
 Sales, Customer Service,
 Warranty, Tech support,
 Spare parts



**21 BRANCH OFFICES
 IN 15 COUNTRIES**



**WORLDWIDE
 DISTRIBUTION
 NETWORK**

Bonfiglioli worldwide locations

Australia

www.bonfiglioli.com.au
2, Cox Place Glendenning NSW 2761
Locked Bag 1000 Plumpton NSW 2761
Tel. + 61 2 8811 8000

Brazil

www.bonfigliolidobrasil.com.br
Travessa Cláudio Armando 171
Bloco 3 - CEP 09861-730 - Bairro Assunção
São Bernardo do Campo - São Paulo
Tel. +55 11 4344 2322

China

www.bonfiglioli.cn
Bonfiglioli Drives (Shanghai) Co., Ltd.
#68, Hui-Lian Road, QingPu District,
201707 Shanghai
Tel. +86 21 6700 2000

France

www.bonfiglioli.fr
14 Rue Eugène Pottier
Zone Industrielle de Moimont II - 95670 Marly la Ville
Tel. +33 1 34474510

Germany

www.bonfiglioli.de
Sperberweg 12 - 41468 Neuss
Tel. +49 0 2131 2988 0

Industrial

Europark Fichtenhain B6 - 47807 Krefeld
Tel. +49 0 2151 8396 0

O&K Antriebstechnik

Ruhrallee 8-12 - 45525 Hattingen
Tel. +49 0 2324 2050 1

India

www.bonfiglioli.in
Mobile, Wind
Bonfiglioli Transmissions Pvt. Ltd.
Plot No. AC7-AC11, SIDCO Industrial Estate,
Thirumudivakkam - 600 044 Chennai
Tel. +91 44 2478 1035

Industrial

Survey No. 528, Porambakkam High Road,
Mannur Village, Sriperambudur Taluk - 602 105 Chennai
Tel. +91 44 6710 3800
Plot No. A-95, Phase IV, MIDC Chakan, Village Nighoje
Pune, Maharashtra - 410 501

Italy

www.bonfiglioli.it
Headquarters
Bonfiglioli Riduttori S.p.A.
Via Giovanni XXIII, 7/A
Lippo di Calderara di Reno - 40012 Bologna
Tel. +39 051 647 3111

Mobile, Wind

Via Enrico Mattei, 12 Z.I. Villa Selva - 47100 Forlì
Tel. +39 0543 789111

Industrial

Via Bazzane, 33/A - 40012 Calderara di Reno
Tel. +39 051 6473111
Via Trinità, 1 - 41058 Vignola
Tel. +39 059 768511
Via Sandro Pertini lotto 7b - 20080 Carpiano
Tel. +39 02 985081

Bonfiglioli Mechatronic Research

Via F. Zeni 8 - 38068 Rovereto
Tel. +39 0464 443435/36

New Zealand

www.bonfiglioli.co.nz
88 Hastie Avenue, Mangere Bridge, 2022 Auckland
PO Box 11795, Ellerslie
Tel. +64 09 634 6441

Singapore

www.bonfiglioli.com
24 Pioneer Crescent #02-08
West Park Bizcentral - Singapore, 628557
Tel. +65 6268 9869

Slovakia

www.bonfiglioli.com
Robotnícka 2129
Považská Bystrica, 01701 Slovakia
Tel. +421 42 430 75 64

South Africa

www.bonfiglioli.co.za
55 Galaxy Avenue, Linbro Business Park - Sandton
Tel. +27 11 608 2030

Spain

www.tecnotrans.bonfiglioli.com
Tecnotrans Bonfiglioli S.A.
Pol. Ind. Zona Franca, Sector C, Calle F, nº 6
08040 Barcelona
Tel. +34 93 447 84 00

Turkey

www.bonfiglioli.com.tr
Atatürk Organize Sanayi Bölgesi, 10007 Sk. No. 30
Atatürk Organize Sanayi Bölgesi, 35620 Çiğli - İzmir
Tel. +90 0 232 328 22 77

United Kingdom

www.bonfiglioli.co.uk

Industrial

Unit 7, Colemeadow Road
North Moons Moat - Redditch, Worcestershire B98 9PB
Tel. +44 1527 65022

Mobile, Wind

3 - 7 Grosvenor Grange, Woolston
Warrington - Cheshire WA1 4SF
Tel. +44 1925 852667

USA

www.bonfiglioliusa.com
3541 Hargrave Drive
Hebron, Kentucky 41048
Tel. +1 859 334 3333

Vietnam

www.bonfiglioli.vn
Lot C-9D-CN My Phuoc Industrial Park 3
Ben Cat - Binh Duong Province
Tel. +84 650 3577411



We have a relentless commitment to excellence, innovation and sustainability. Our team creates, distributes and services world-class power transmission and drive solutions to keep the world in motion.



HEADQUARTERS

Bonfiglioli Riduttori S.p.A.
Via Giovanni XXIII, 7/A
40012 Lippo di Calderara di Reno
Bologna (Italy)
tel: +39 051 647 3111
fax: +39 051 647 3126
bonfiglioli@bonfiglioli.com
www.bonfiglioli.com